



TECHNICAL DATA

- . Wooden inner **Frame**.
- . Elastic webbing.
- . **Seat** in polyurethane foam applied in layers with different thickness and hardness.

. **Bed Mechanism** - 13cm feet height

Mattresses sizes available:

-210x125x12cm

-210x145x12cm

. Solid Metal **Legs** 20mm thickness available in:

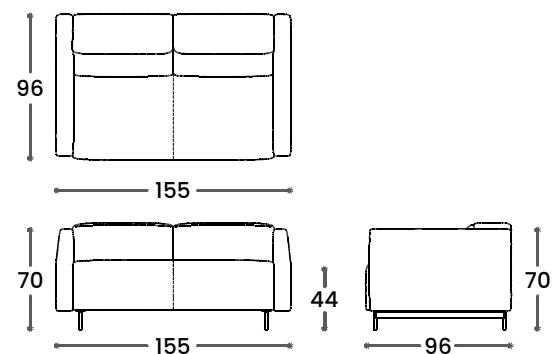
-Painted RAL 9005 Black Matt

-Stainless Steel

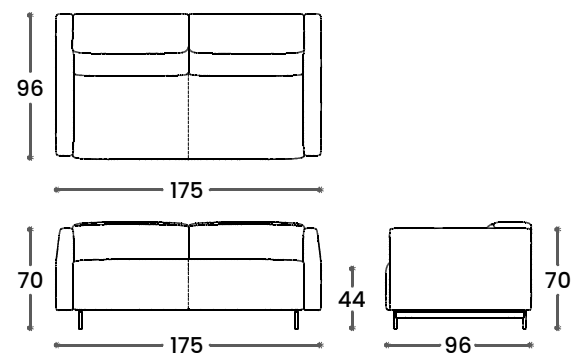
. **Upholstery** - not removable fabric or leather, you can choose the fabric once shopping online or contacting in advance with nuno-hh.

Note: Depending on the kind of finish (Fabric or Leather) and its design, it is expected wrinkles to appear as a typical behavior when manufacturing. Dimensions are approximate.

DIMENSIONS



125cm Mattress



145cm Mattress