

TECHNICAL CATALOG

2020/2021

INDEX

sofas	pages
impala	4
alfa	5
davos	6
opera	7
rasa	8
finnet	9

armchairs	
onix	11
alfa	12
orpheu	13
albus	14
armis	15
opera	16
finnet	17
aido	18

chairs	
aido	20
onix	21
linus	22
linus a	23
albus wd	24
albus mt	25
armis	26

beds	pages
sulan	28
ingrid	29
arzila	30
garor	31

stools	
orpheu	33
aido	34
hidra mt xl	35
hidra wd xl	36
ciara xl	37
ciara	38
dora	39
fred	40
hidra mt	41
hidra wd	42
opera	43

banquets	
finnet	45
finnet mod	46
alfa	47
ciara	48
opera	49

poufs	pages
dora	51
fred	52
alfa	53
davos	54
opera	55

panels	
hezagon	57
triangle	58
square	59
mats zz	60
mats f	61
mats d	62

SOFAS

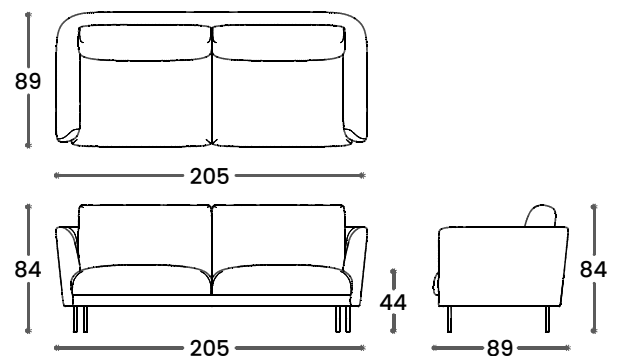


TECHNICAL DATA

- . Wooden inner **Frame**.
- . Elastic webbing.
- . Coil spring support.
- . **Seat** in polyurethane foam applied in layers with different thickness and hardness.
- . Solid Metal **Legs** 20mm thickness available in:
 - Painted RAL 9005 Black Matt
 - Stainless Steel
- . **Upholstery** - not removable fabric or leather, you can choose the fabric once shopping online or contacting in advance with nuno-hh.

Note: Depending on the kind of finish (Fabric or Leather) and its design, it is expected wrinkles to appear as a typical behavior when manufacturing. Dimensions are approximate.

DIMENSIONS

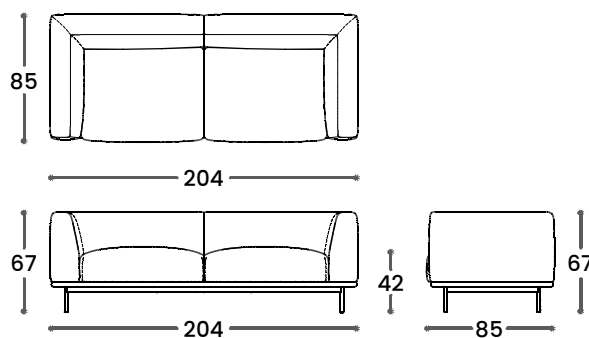




TECHNICAL DATA

- . Wooden inner **Frame**.
- . Elastic webbing.
- . Coil spring support.
- . **Seat** in polyurethane foam applied in layers with different thickness and hardness.
- . Solid Metal **Legs** 20mm thickness available in:
 - Painted RAL 9005 Black Matt
 - Stainless Steel
- . **Upholstery** - not removable fabric or leather, you can choose the fabric once shopping online or contacting in advance with nuno-hh.

DIMENSIONS



Note: Depending on the kind of finish (Fabric or Leather) and its design, it is expected wrinkles to appear as a typical behavior when manufacturing. Dimensions are approximate.

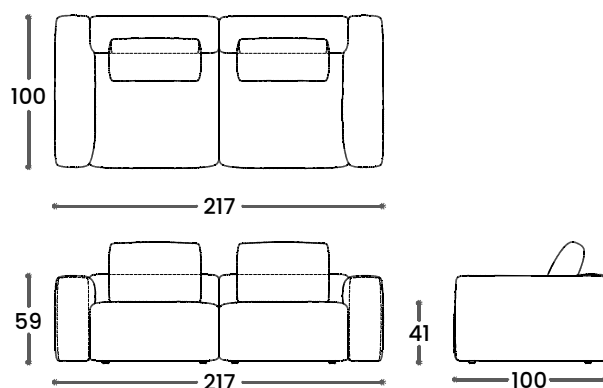


TECHNICAL DATA

- . Wooden inner **Frame**.
- . Elastic webbing.
- . Coil spring support.
- . **Seat** in polyurethane foam applied in layers with different thickness and hardness.
- . Solid wooden **Legs** 40mm thickness available in:
 - Oak Natural Matt Finish
 - Walnut Natural Matt Finish
 - Ash Pigmented Black Matt Finish
 - Lacquered matt black Finish
- . **Upholstery** - not removable fabric or leather, you can choose the fabric once shopping online or contacting in advance with nuno-hh.

Note: Depending on the kind of finish (Fabric or Leather) and its design, it is expected wrinkles to appear as a typical behavior when manufacturing. Dimensions are approximate.

DIMENSIONS



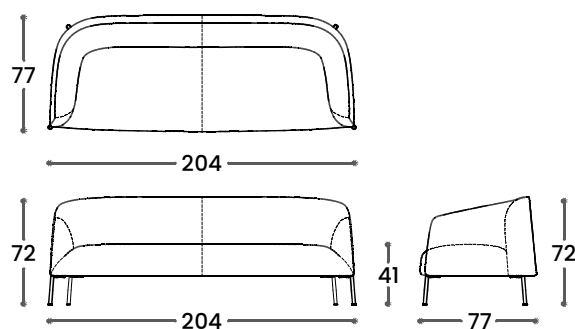


TECHNICAL DATA

- . Wooden inner **Frame**.
- . Elastic webbing.
- . Coil spring support.
- . **Seat** in polyurethane foam applied in layers with different thickness and hardness.
- . Solid Metal **Legs** 20mm thickness available in:
 - Painted RAL 9005 Black Matt
 - Stainless Steel
- . **Upholstery** - not removable fabric or leather, you can choose the fabric once shopping online or contacting in advance with nuno-hh.

Note: Depending on the kind of finish (Fabric or Leather) and its design, it is expected wrinkles to appear as a typical behavior when manufacturing. Dimensions are approximate.

DIMENSIONS





TECHNICAL DATA

- . Wooden inner **Frame**.
- . Elastic webbing.
- . **Seat** in polyurethane foam applied in layers with different thickness and hardness.

. **Bed Mechanism** - 13cm feet height

Matresses sizes available:

-210x125x12cm

-210x145x12cm

. Solid Metal **Legs** 20mm thickness available in:

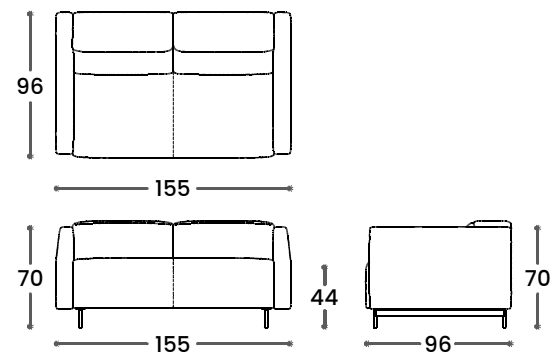
-Painted RAL 9005 Black Matt

-Stainless Steel

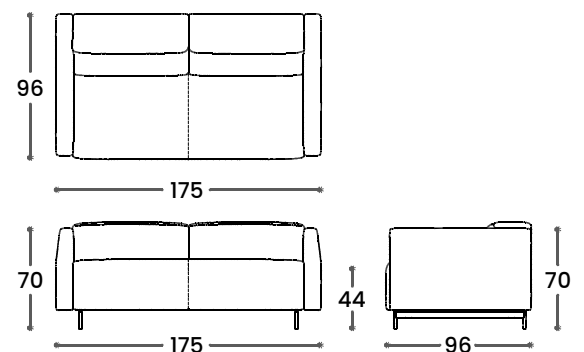
. **Upholstery** - not removable fabric or leather, you can choose the fabric once shopping online or contacting in advance with nuno-hh.

Note: Depending on the kind of finish (Fabric or Leather) and is design, it is expected wrinkles to appear as a typical behavior when manufacturing. Dimensions are approximate.

DIMENSIONS



125cm Mattress



145cm Mattress

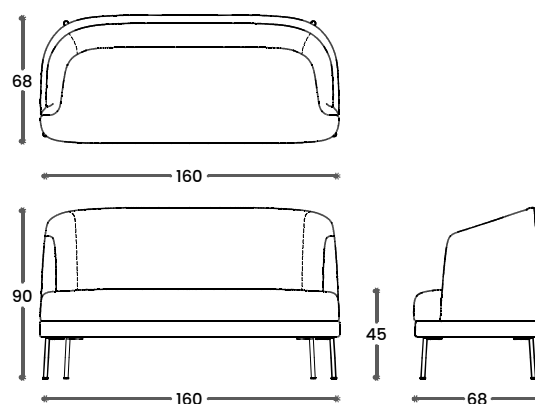


TECHNICAL DATA

- . Wooden inner **Frame**.
- . Elastic webbing.
- . **Seat** in polyurethane foam applied in layers with different thickness and hardness.
- . Solid Metal **Legs** 20mm thickness available in:
 - Painted RAL 9005 Black Matt
 - Stainless Steel
- . **Upholstery** - not removable fabric or leather, you can choose the fabric once shopping online or contacting in advance with nuno-hh.

Note: Depending on the kind of finish (Fabric or Leather) and its design, it is expected wrinkles to appear as a typical behavior when manufacturing. Dimensions are approximate.

DIMENSIONS



ARMCHAIRS

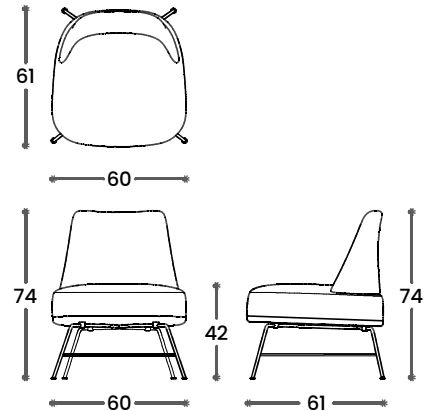


TECHNICAL DATA

- . Wooden inner **Frame**.
- . **Seat** in polyurethane foam applied in layers with different thickness and hardness.
- . Solid Wood **Seat base** available in:
 - Oak Natural Matt Finish
 - Walnut Natural Matt Finish
 - Ash Pigmented Black Matt Finish
 - Lacquered matt black Finish
- . Solid Metal **Legs** 12mm thickness available in:
 - Painted RAL 9005 Black Matt
 - Stainless Steel
- . **Upholstery** - not removable fabric or leather, you can choose the fabric once shopping online or contacting in advance with nuno-hh.

Note: Depending on the kind of finish (Fabric or Leather) and its design, it is expected wrinkles to appear as a typical behavior when manufacturing. Dimensions are approximate.

DIMENSIONS



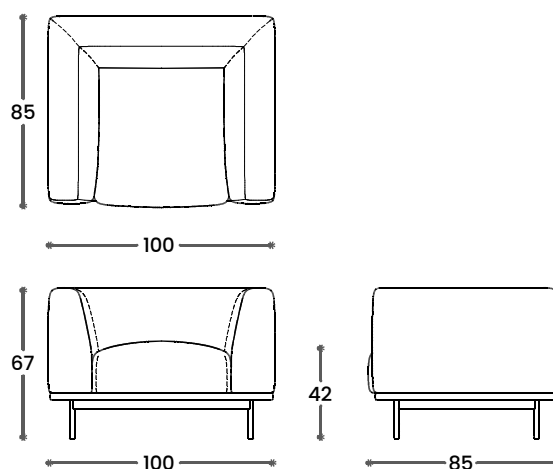


TECHNICAL DATA

- . Wooden inner **Frame**.
- . Elastic webbing.
- . Coil spring support.
- . **Seat** in polyurethane foam applied in layers with different thickness and hardness.
- . Solid Metal **Legs** 20mm thickness available in:
 - Painted RAL 9005 Black Matt
 - Stainless Steel
- . **Upholstery** - not removable fabric or leather, you can choose the fabric once shopping online or contacting in advance with nuno-hh.

Note: Depending on the kind of finish (Fabric or Leather) and its design, it is expected wrinkles to appear as a typical behavior when manufacturing. Dimensions are approximate.

DIMENSIONS



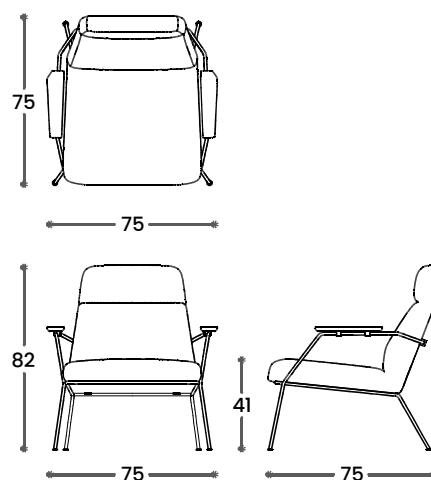


TECHNICAL DATA

- . Wooden inner **Frame**.
- . **Seat** in polyurethane foam applied in layers with different thickness and hardness.
- . Solid Metal **Legs** 12mm thickness available in:
 - Painted RAL 9005 Black Matt
 - Stainless Steel
- . Solid Wood **Armrest** 20mm thickness available in:
 - Oak Natural Matt Finish
 - Walnut Natural Matt Finish
 - Ash Pigmented Black Matt Finish
 - Lacquered matt black Finish
- . **Upholstery** - not removable fabric or leather, you can choose the fabric once shopping online or contacting in advance with nuno-hh.

Note: Depending on the kind of finish (Fabric or Leather) and its design, it is expected wrinkles to appear as a typical behavior when manufacturing. Dimensions are approximate.

DIMENSIONS



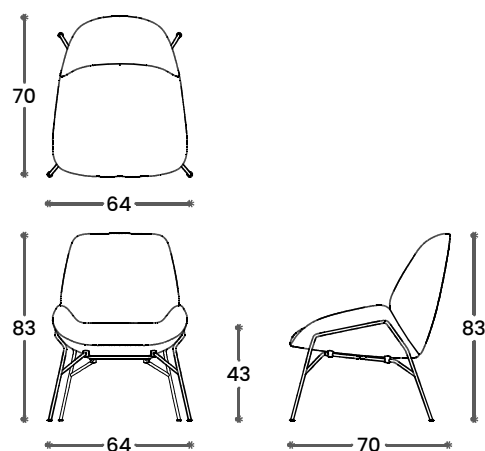


TECHNICAL DATA

- . Seat and Backrest in hard polyurethane inner **Frame**.
- . **Seat** in polyurethane foam applied in layers with different thickness and hardness.
- . Solid Metal **Legs** 12mm thickness available in:
 - Painted RAL 9005 Black Matt
 - Stainless Steel
- . **Upholstery** - not removable fabric or leather, you can choose the fabric once shopping online or contacting in advance with nuno-hh.

Note: Depending on the kind of finish (Fabric or Leather) and its design, it is expected wrinkles to appear as a typical behavior when manufacturing. Dimensions are approximate.

DIMENSIONS



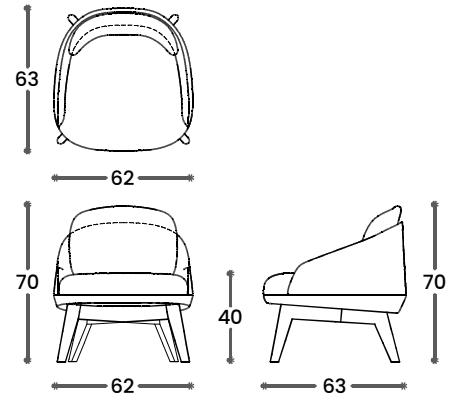


TECHNICAL DATA

- . Wooden inner **Frame**.
- . **Seat** in polyurethane foam applied in layers with different thickness and hardness.
- . **Back Cushions** in polyurethane foam inner core filled with polyester fibers.
- . Solid wooden **Legs** 25mm thickness available in:
 - Oak Natural Matt Finish
 - Walnut Natural Matt Finish
 - Ash Pigmented Black Matt Finish
 - Lacquered matt black Finish
- . **Upholstery** - not removable fabric or leather, you can choose the fabric once shopping online or contacting in advance with nuno-hh.

Note: Depending on the kind of finish (Fabric or Leather) and its design, it is expected wrinkles to appear as a typical behavior when manufacturing. Dimensions are approximate.

DIMENSIONS



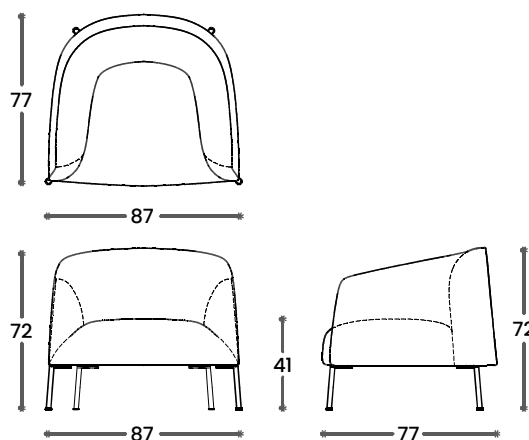


TECHNICAL DATA

- . Wooden inner **Frame**.
- . Elastic webbing.
- . **Seat** in polyurethane foam applied in layers with different thickness and hardness.
- . Solid Metal **Legs** 20mm thickness available in:
 - Painted RAL 9005 Black Matt
 - Stainless Steel
- . **Upholstery** - not removable fabric or leather, you can choose the fabric once shopping online or contacting in advance with nuno-hh.

Note: Depending on the kind of finish (Fabric or Leather) and its design, it is expected wrinkles to appear as a typical behavior when manufacturing. Dimensions are approximate.

DIMENSIONS



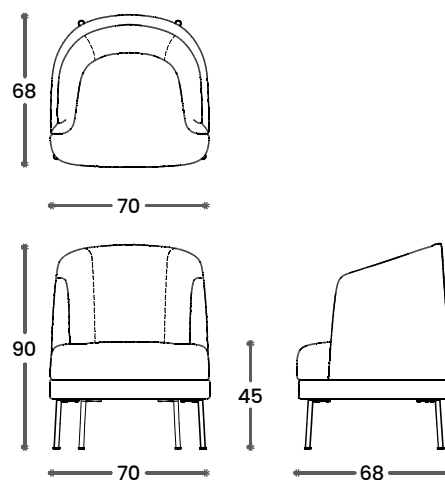


TECHNICAL DATA

- . Wooden inner **Frame**.
- . Elastic webbing.
- . **Seat** in polyurethane foam applied in layers with different thickness and hardness.
- . Solid Metal **Legs** 20mm thickness available in:
 - Painted RAL 9005 Black Matt
 - Stainless Steel
- . **Upholstery** - not removable fabric or leather, you can choose the fabric once shopping online or contacting in advance with nuno-hh.

Note: Depending on the kind of finish (Fabric or Leather) and its design, it is expected wrinkles to appear as a typical behavior when manufacturing. Dimensions are approximate.

DIMENSIONS



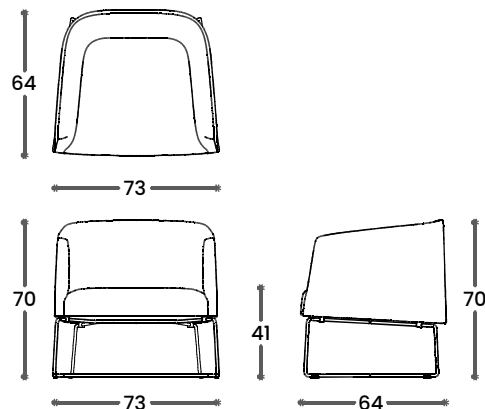


TECHNICAL DATA

- . Wooden inner **Frame**.
- . **Seat** in polyurethane foam applied in layers with different thickness and hardness.
- . Solid Metal **Legs** 12mm thickness available in:
 - Painted RAL 9005 Black Matt
 - Stainless Steel
- . **Upholstery** - not removable fabric or leather, you can choose the fabric once shopping online or contacting in advance with nuno-hh.

Note: Depending on the kind of finish (Fabric or Leather) and its design, it is expected wrinkles to appear as a typical behavior when manufacturing. Dimensions are approximate.

DIMENSIONS



CHAIRS

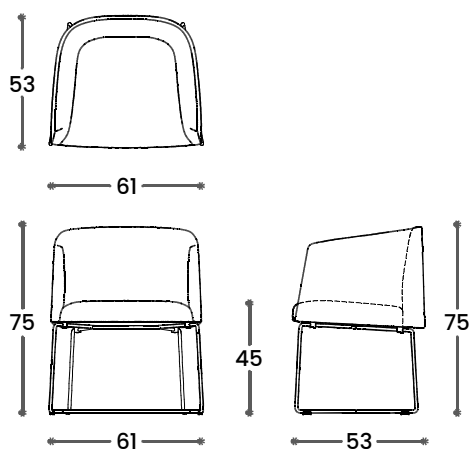


TECHNICAL DATA

- . Wooden inner **Frame**.
- . **Seat** in polyurethane foam applied in layers with different thickness and hardness.
- . Solid Metal **Legs** 12mm thickness available in:
 - Painted RAL 9005 Black Matt
 - Stainless Steel
- . **Upholstery** - not removable fabric or leather, you can choose the fabric once shopping online or contacting in advance with nuno-hh.

Note: Depending on the kind of finish (Fabric or Leather) and its design, it is expected wrinkles to appear as a typical behavior when manufacturing. Dimensions are approximate.

DIMENSIONS



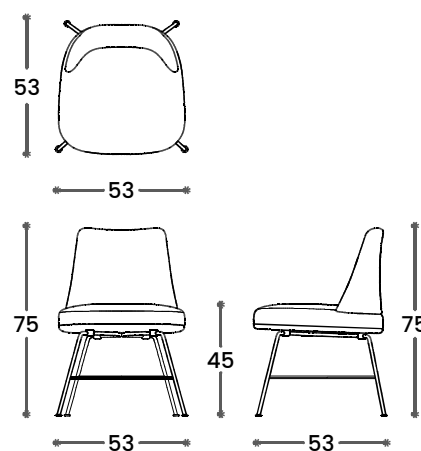


TECHNICAL DATA

- . Wooden inner **Frame**.
- . **Seat** in polyurethane foam applied in layers with different thickness and hardness.
- . Solid Wood **Seat base** available in:
 - Oak Natural Matt Finish
 - Walnut Natural Matt Finish
 - Ash Pigmented Black Matt Finish
 - Lacquered matt black Finish
- . Solid Metal **Legs** 12mm thickness available in:
 - Painted RAL 9005 Black Matt
 - Stainless Steel
- . **Upholstery** - not removable fabric or leather, you can choose the fabric once shopping online or contacting in advance with nuno-hh.

Note: Depending on the kind of finish (Fabric or Leather) and its design, it is expected wrinkles to appear as a typical behavior when manufacturing. Dimensions are approximate.

DIMENSIONS



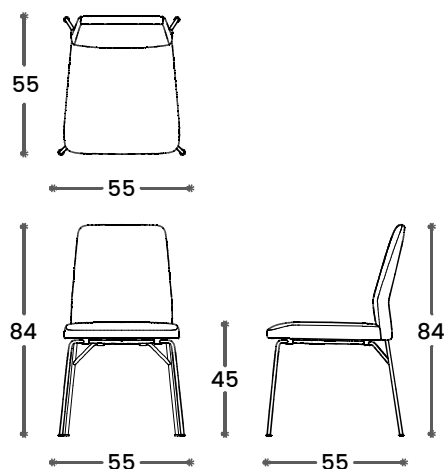


TECHNICAL DATA

- . Wooden inner **Frame**.
- . **Seat** in polyurethane foam applied in layers with different thickness and hardness.
- . Solid Metal **Legs** 12mm thickness available in:
 - Painted RAL 9005 Black Matt
 - Stainless Steel
- . **Upholstery** - not removable fabric or leather, you can choose the fabric once shopping online or contacting in advance with nuno-hh.

Note: Depending on the kind of finish (Fabric or Leather) and is design, it is expected wrinkles to appear as a typical behavior when manufacturing. Dimensions are approximate.

DIMENSIONS



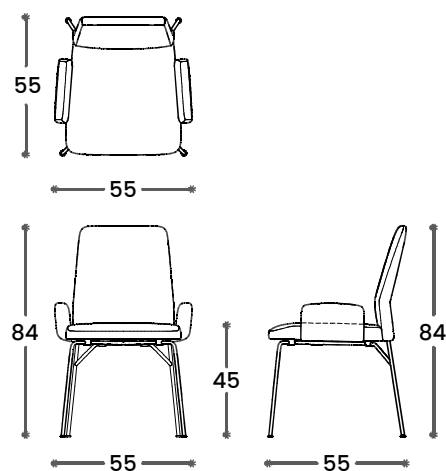


TECHNICAL DATA

- . Wooden inner **Frame**.
- . **Seat** in polyurethane foam applied in layers with different thickness and hardness.
- . Solid Metal **Legs** 12mm thickness available in:
 - Painted RAL 9005 Black Matt
 - Stainless Steel
- . **Upholstery** - not removable fabric or leather, you can choose the fabric once shopping online or contacting in advance with nuno-hh.

Note: Depending on the kind of finish (Fabric or Leather) and its design, it is expected wrinkles to appear as a typical behavior when manufacturing. Dimensions are approximate.

DIMENSIONS



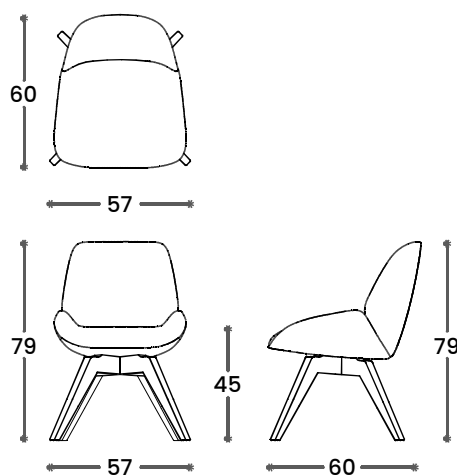


TECHNICAL DATA

- . Seat and Backrest in hard polyurethane inner **Frame**.
- . **Seat** in polyurethane foam applied in layers with different thickness and hardness.
- . Solid wooden **Legs** 25mm thickness available in:
 - Oak Natural Matt Finish
 - Walnut Natural Matt Finish
 - Ash Pigmented Black Matt Finish
 - Lacquered matt black Finish
- . **Upholstery** - not removable fabric or leather, you can choose the fabric once shopping online or contacting in advance with nuno-hh.

Note: Depending on the kind of finish (Fabric or Leather) and its design, it is expected wrinkles to appear as a typical behavior when manufacturing. Dimensions are approximate.

DIMENSIONS



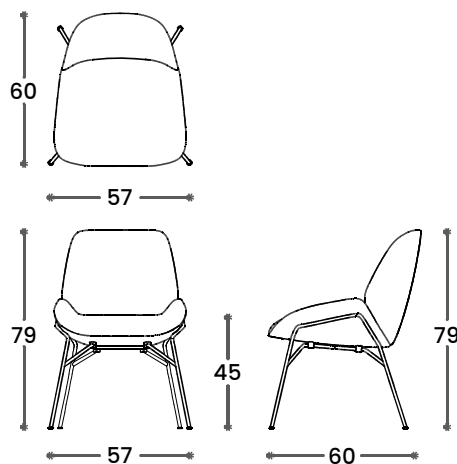


TECHNICAL DATA

- . Seat and Backrest in hard polyurethane inner **Frame**.
- . **Seat** in polyurethane foam applied in layers with different thickness and hardness.
- . Solid Metal **Legs** 12mm thickness available in:
 - Painted RAL 9005 Black Matt
 - Stainless Steel
- . **Upholstery** - not removable fabric or leather, you can choose the fabric once shopping online or contacting in advance with nuno-hh.

Note: Depending on the kind of finish (Fabric or Leather) and its design, it is expected wrinkles to appear as a typical behavior when manufacturing. Dimensions are approximate.

DIMENSIONS



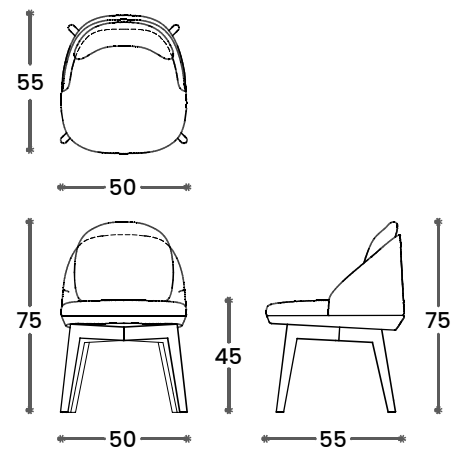


TECHNICAL DATA

- . Wooden inner **Frame**.
- . **Seat** in polyurethane foam applied in layers with different thickness and hardness.
- . **Back Cushions** in polyurethane foam inner core filled with polyester fibers.
- . Solid wooden **Legs** 25mm thickness available in:
 - Oak Natural Matt Finish
 - Walnut Natural Matt Finish
 - Ash Pigmented Black Matt Finish
 - Lacquered matt black Finish
- . **Upholstery** - not removable fabric or leather, you can choose the fabric once shopping online or contacting in advance with nuno-hh.

Note: Depending on the kind of finish (Fabric or Leather) and its design, it is expected wrinkles to appear as a typical behavior when manufacturing. Dimensions are approximate.

DIMENSIONS



BEDS

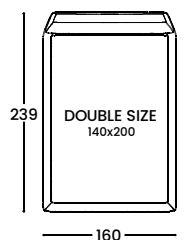
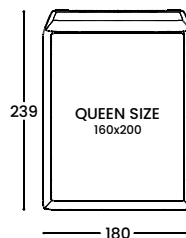
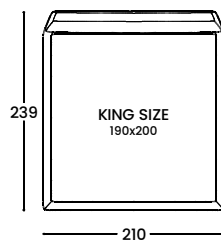
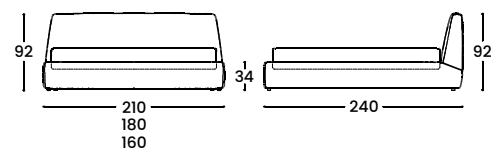


TECHNICAL DATA

- . Wood internal **framework** overlayed with polyurethane foam and covered with polyester fleece.
- . **Headrest** overlayed with polyurethane foam and covered with polyester fleece.
- . Slatted **Bed Base**.
- . Solid wooden **Legs** 40mm thickness available in:
 - Oak Natural Matt Finish
 - Walnut Natural Matt Finish
 - Ash Pigmented Black Matt Finish
- . **Upholstery** - not removable fabric or leather, you can choose the fabric once shopping online or contacting in advance with nuno-hh.

Note: Depending on the kind of finish (Fabric or Leather) and is design, it is expected wrinkles to appear as a typical behavior when manufacturing. Dimensions are approximate.

DIMENSIONS



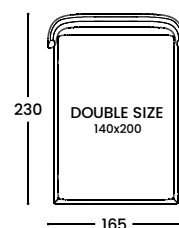
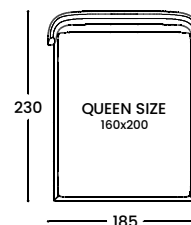
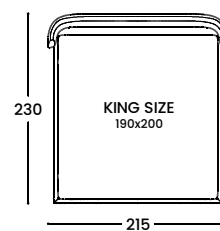
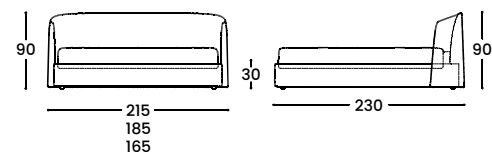


TECHNICAL DATA

- . Wood internal **framework** overlayed with polyurethane foam and covered with polyester fleece.
- . **Headrest** overlayed with polyurethane foam and covered with polyester fleece.
- . Slatted **Bed Base**.
- . Solid wooden **Legs** 40mm thickness available in:
 - Oak Natural Matt Finish
 - Walnut Natural Matt Finish
 - Ash Pigmented Black Matt Finish
- . **Upholstery** - not removable fabric or leather, you can choose the fabric once shopping online or contacting in advance with nuno-hh.

Note: Depending on the kind of finish (Fabric or Leather) and its design, it is expected wrinkles to appear as a typical behavior when manufacturing. Dimensions are approximate.

DIMENSIONS



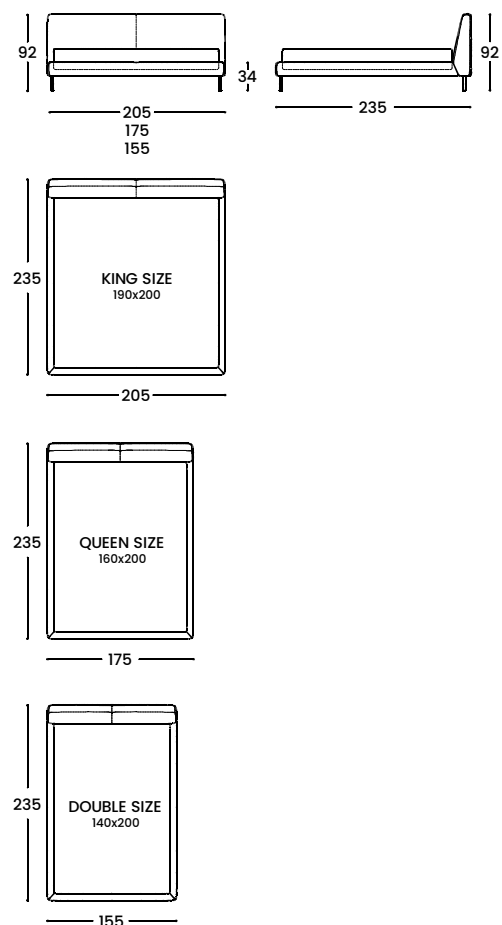


TECHNICAL DATA

- . Wood internal **framework** overlayed with polyurethane foam and covered with polyester fleece.
- . **Headrest** overlayed with polyurethane foam and covered with polyester fleece.
- . Slatted **Bed Base**.
- . Solid Metal **Legs** 20mm thickness available in:
 - Painted RAL 9005 Black Matt
 - Stainless Steel
- . **Upholstery** - not removable fabric or leather, you can choose the fabric once shopping online or contacting in advance with nuno-hh.

Note: Depending on the kind of finish (Fabric or Leather) and is design, it is expected wrinkles to appear as a typical behavior when manufacturing. Dimensions are approximate.

DIMENTIONS





TECHNICAL DATA

. Wood internal **framework** overlayed with polyurethane foam and covered with polyester fleece.

. **Headrest** overlayed with polyurethane foam and covered with polyester fleece.

. Slatted **Bed Base**.

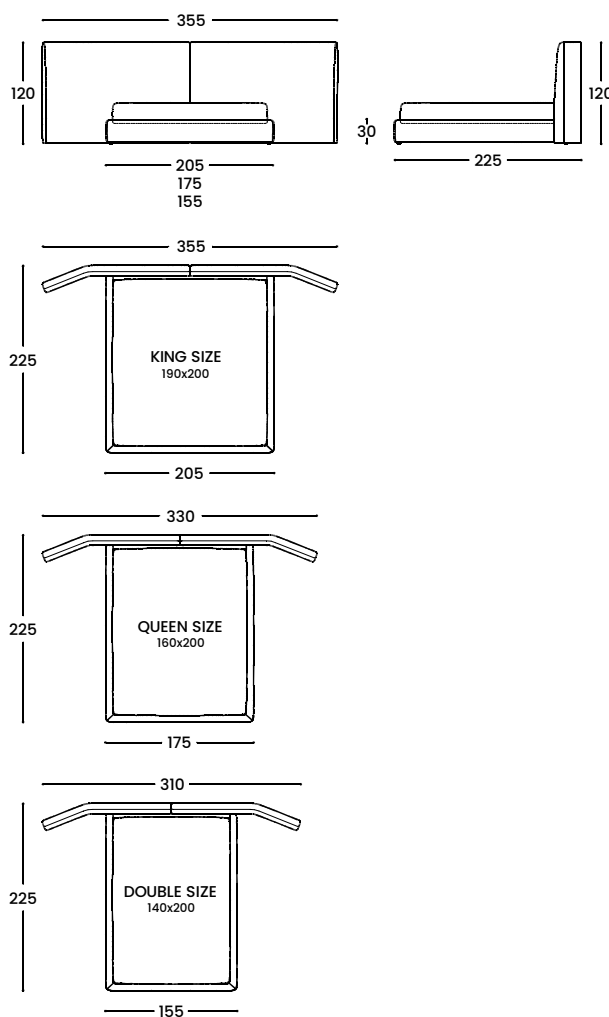
. Solid wooden **Legs** 40mm thickness available in:

- Oak Natural Matt Finish
- Walnut Natural Matt Finish
- Ash Pigmented Black Matt Finish

. **Upholstery** - not removable fabric or leather, you can choose the fabric once shopping online or contacting in advance with nuno-hh.

Note: Depending on the kind of finish (Fabric or Leather) and is design, it is expected wrinkles to appear as a typical behavior when manufacturing. Dimensions are approximate.

DIMENTIONS



STOOLS

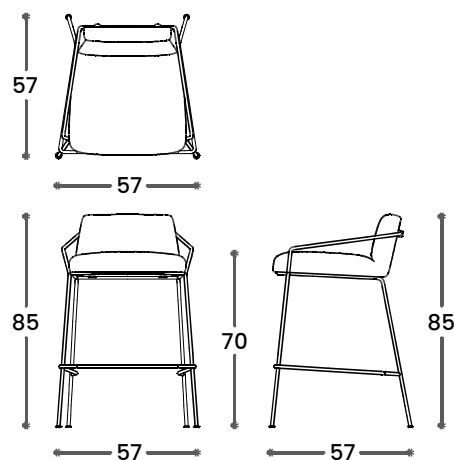


TECHNICAL DATA

- . Wooden inner **Frame**.
- . **Seat** in polyurethane foam applied in layers with different thickness and hardness.
- . Solid Metal **Legs** 12mm thickness available in:
 - Painted RAL 9005 Black Matt
 - Stainless Steel
- . **Upholstery** - not removable fabric or leather, you can choose the fabric once shopping online or contacting in advance with nuno-hh.

Note: Depending on the kind of finish (Fabric or Leather) and its design, it is expected wrinkles to appear as a typical behavior when manufacturing. Dimensions are approximate.

DIMENSIONS



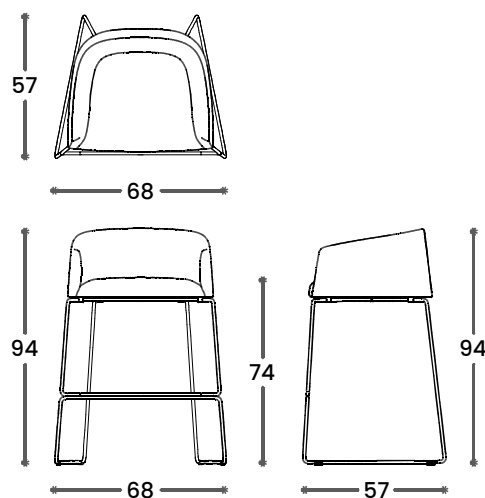


TECHNICAL DATA

- . Wooden inner **Frame**.
- . **Seat** in polyurethane foam applied in layers with different thickness and hardness.
- . Solid Metal **Legs** 12mm thickness available in:
 - Painted RAL 9005 Black Matt
 - Stainless Steel
- . **Upholstery** - not removable fabric or leather, you can choose the fabric once shopping online or contacting in advance with nuno-hh.

Note: Depending on the kind of finish (Fabric or Leather) and its design, it is expected wrinkles to appear as a typical behavior when manufacturing. Dimensions are approximate.

DIMENSIONS



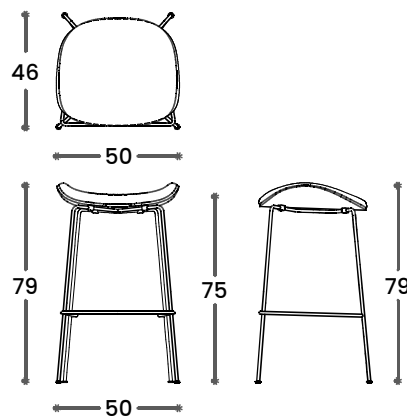


TECHNICAL DATA

- . Wooden **Seat Base** available in:
 - Oak Natural Matt Finish
 - Walnut Natural Matt Finish
 - Ash Pigmented Black Matt Finish
 - Lacquered matt black Finish
- . **Seat** in polyurethane foam applied in layers with different thickness and hardness.
- . Solid Metal **Legs** 12mm thickness available in:
 - Painted RAL 9005 Black Matt
 - Stainless Steel
- . **Upholstery** - not removable fabric or leather, you can choose the fabric once shopping online or contacting in advance with nuno-hh.

Note: Depending on the kind of finish (Fabric or Leather) and its design, it is expected wrinkles to appear as a typical behavior when manufacturing. Dimensions are approximate.

DIMENSIONS



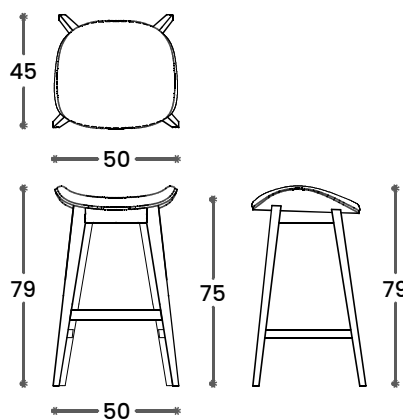


TECHNICAL DATA

- . Wooden **Seat Base** available in:
 - Oak Natural Matt Finish
 - Walnut Natural Matt Finish
 - Ash Pigmented Black Matt Finish
 - Lacquered matt black Finish
- . **Seat** in polyurethane foam applied in layers with different thickness and hardness.
- . Solid wooden **Legs** 25mm thickness available in:
 - Oak Natural Matt Finish
 - Walnut Natural Matt Finish
 - Ash Pigmented Black Matt Finish
 - Lacquered matt black Finish
- . **Upholstery** - not removable fabric or leather, you can choose the fabric once shopping online or contacting in advance with nuno-hh.

Note: Depending on the kind of finish (Fabric or Leather) and its design, it is expected wrinkles to appear as a typical behavior when manufacturing. Dimensions are approximate.

DIMENSIONS



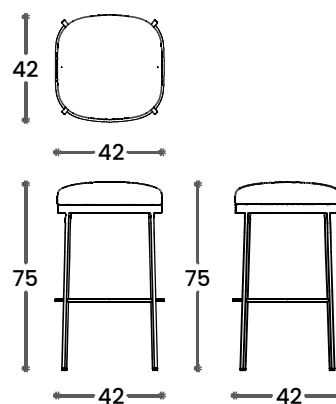


TECHNICAL DATA

- . Wooden inner **Frame**.
- . **Seat** in polyurethane foam applied in layers with different thickness and hardness.
- . Solid Metal **Legs** 15mm thickness available in:
 - Painted RAL 9005 Black Matt
 - Stainless Steel
- . **Upholstery** - not removable fabric or leather, you can choose the fabric once shopping online or contacting in advance with nuno-hh.

Note: Depending on the kind of finish (Fabric or Leather) and its design, it is expected wrinkles to appear as a typical behavior when manufacturing. Dimensions are approximate.

DIMENSIONS

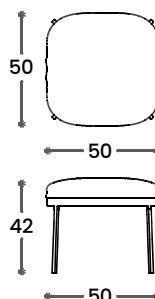




TECHNICAL DATA

- . Wooden inner **Frame**.
- . Elastic webbing.
- . **Seat** in polyurethane foam applied in layers with different thickness and hardness.
- . Solid Metal **Legs** 15mm thickness available in:
 - Painted RAL 9005 Black Matt
 - Stainless Steel
- . **Upholstery** - not removable fabric or leather, you can choose the fabric once shopping online or contacting in advance with nuno-hh.

DIMENSIONS



Note: Depending on the kind of finish (Fabric or Leather) and its design, it is expected wrinkles to appear as a typical behavior when manufacturing. Dimensions are approximate.

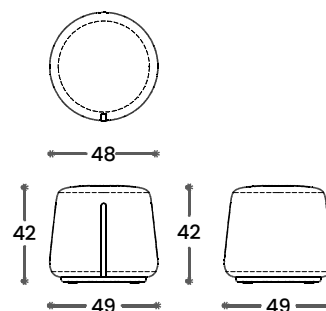


TECHNICAL DATA

- . Wooden inner **Frame**.
- . **Seat** in polyurethane foam applied in layers with different thickness and hardness.
- . Solid Wood **Seat base** available in:
 - Oak Natural Matt Finish
 - Walnut Natural Matt Finish
 - Ash Pigmented Black Matt Finish
 - Lacquered matt black Finish
- . **Upholstery** - not removable fabric or leather, you can choose the fabric once shopping online or contacting in advance with nuno-hh.

Note: Depending on the kind of finish (Fabric or Leather) and its design, it is expected wrinkles to appear as a typical behavior when manufacturing. Dimensions are approximate.

DIMENSIONS



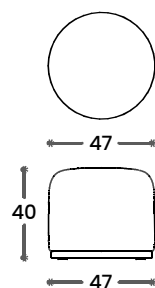


TECHNICAL DATA

- . Wooden inner **Frame**.
- . **Seat** in polyurethane foam applied in layers with different thickness and hardness.
- . Solid Metal **Seat base** available in:
 - Painted RAL 9005 Black Matt
 - Stainless Steel
- . **Upholstery** - not removable fabric or leather, you can choose the fabric once shopping online or contacting in advance with nuno-hh.

Note: Depending on the kind of finish (Fabric or Leather) and its design, it is expected wrinkles to appear as a typical behavior when manufacturing. Dimensions are approximate.

DIMENSIONS



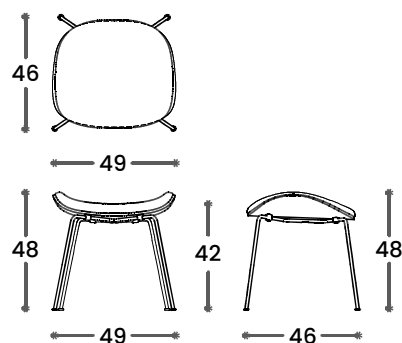


TECHNICAL DATA

- . Wooden **Seat Base** available in:
 - Oak Natural Matt Finish
 - Walnut Natural Matt Finish
 - Ash Pigmented Black Matt Finish
 - Lacquered matt black Finish
- . **Seat** in polyurethane foam applied in layers with different thickness and hardness.
- . Solid Metal **Legs** 12mm thickness available in:
 - Painted RAL 9005 Black Matt
 - Stainless Steel
- . **Upholstery** - not removable fabric or leather, you can choose the fabric once shopping online or contacting in advance with nuno-hh.

Note: Depending on the kind of finish (Fabric or Leather) and its design, it is expected wrinkles to appear as a typical behavior when manufacturing. Dimensions are approximate.

DIMENSIONS



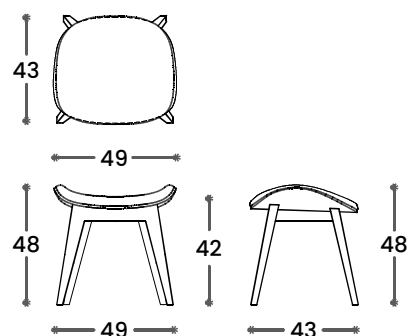


TECHNICAL DATA

- . Wooden **Seat Base** available in:
 - Oak Natural Matt Finish
 - Walnut Natural Matt Finish
 - Ash Pigmented Black Matt Finish
 - Lacquered matt black Finish
- . **Seat** in polyurethane foam applied in layers with different thickness and hardness.
- . Solid wooden **Legs** 25mm thickness available in:
 - Oak Natural Matt Finish
 - Walnut Natural Matt Finish
 - Ash Pigmented Black Matt Finish
 - Lacquered matt black Finish
- . **Upholstery** - not removable fabric or leather, you can choose the fabric once shopping online or contacting in advance with nuno-hh.

Note: Depending on the kind of finish (Fabric or Leather) and is design, it is expected wrinkles to appear as a typical behavior when manufacturing. Dimensions are approximate.

DIMENSIONS



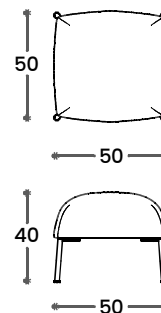


TECHNICAL DATA

- . Wooden inner **Frame**.
- . Elastic webbing.
- . **Seat** in polyurethane foam applied in layers with different thickness and hardness.
- . Solid Metal **Legs** 20mm thickness available in:
 - Painted RAL 9005 Black Matt
 - Stainless Steel
- . **Upholstery** - not removable fabric or leather, you can choose the fabric once shopping online or contacting in advance with nuno-hh.

Note: Depending on the kind of finish (Fabric or Leather) and its design, it is expected wrinkles to appear as a typical behavior when manufacturing. Dimensions are approximate.

DIMENSIONS



BANQUETS

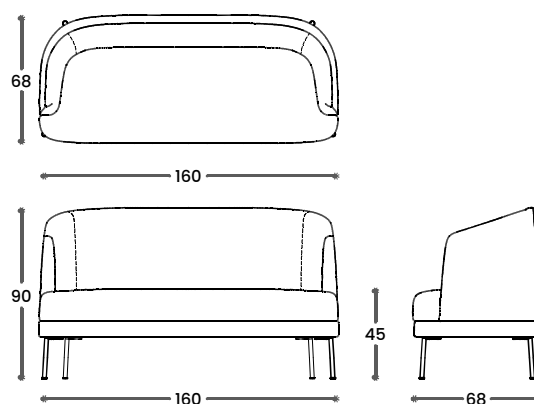


TECHNICAL DATA

- . Wooden inner **Frame**.
- . Elastic webbing.
- . **Seat** in polyurethane foam applied in layers with different thickness and hardness.
- . Solid Metal **Legs** 20mm thickness available in:
 - Painted RAL 9005 Black Matt
 - Stainless Steel
- . **Upholstery** - not removable fabric or leather, you can choose the fabric once shopping online or contacting in advance with nuno-hh.

Note: Depending on the kind of finish (Fabric or Leather) and its design, it is expected wrinkles to appear as a typical behavior when manufacturing. Dimensions are approximate.

DIMENSIONS



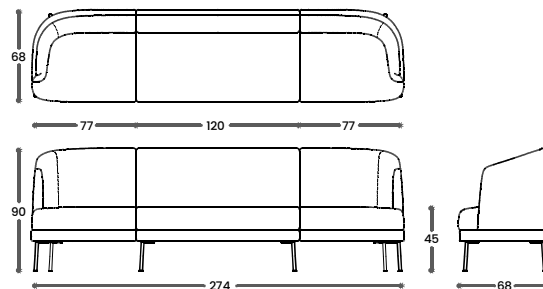


TECHNICAL DATA

- . Wooden inner **Frame**.
- . Elastic webbing.
- . **Seat** in polyurethane foam applied in layers with different thickness and hardness.
- . Solid Metal **Legs** 20mm thickness available in:
 - Painted RAL 9005 Black Matt
 - Stainless Steel
- . **Upholstery** - not removable fabric or leather, you can choose the fabric once shopping online or contacting in advance with nuno-hh.

Note: Depending on the kind of finish (Fabric or Leather) and its design, it is expected wrinkles to appear as a typical behavior when manufacturing. Dimensions are approximate.

DIMENSIONS

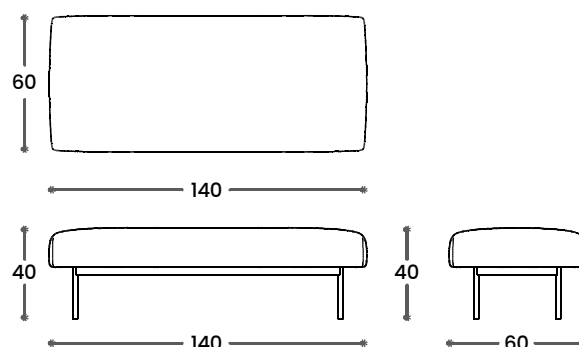




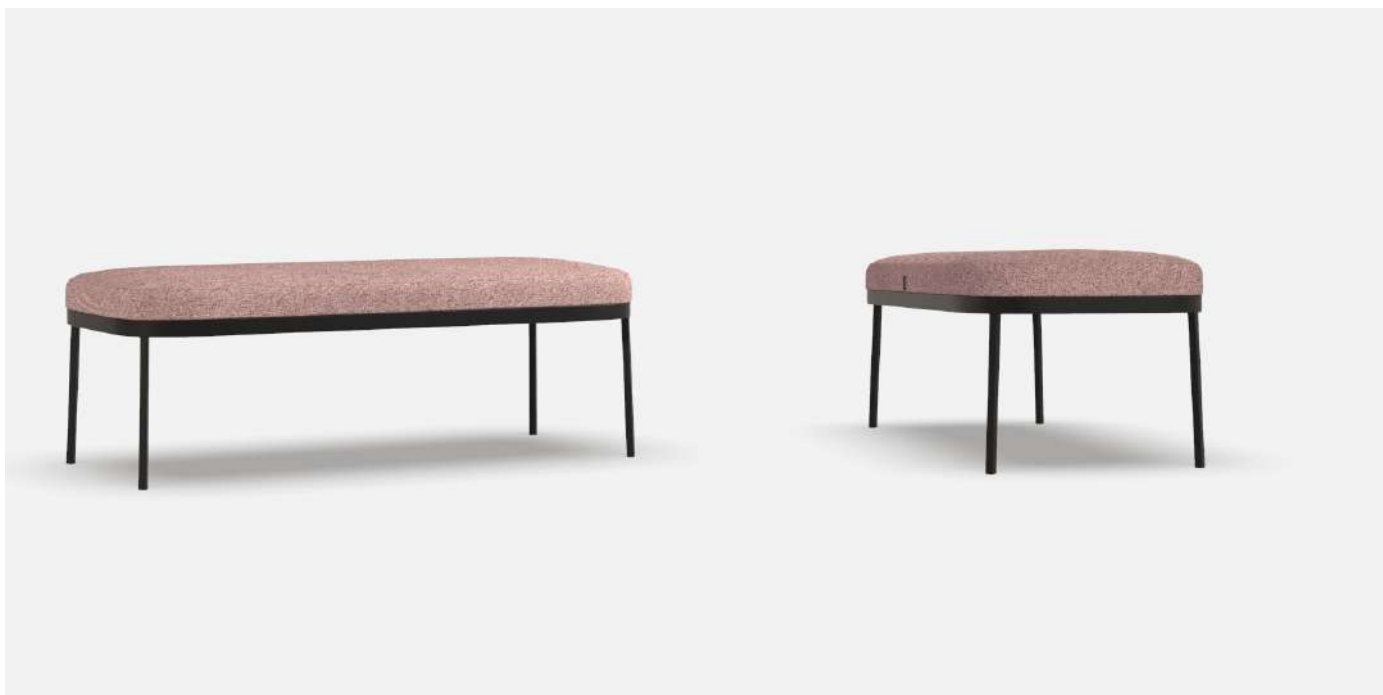
TECHNICAL DATA

- . Wooden inner **Frame**.
- . Elastic webbing.
- . **Seat** in polyurethane foam applied in layers with different thickness and hardness.
- . Solid Metal **Legs** 20mm thickness available in:
 - Painted RAL 9005 Black Matt
 - Stainless Steel
- . **Upholstery** - not removable fabric or leather, you can choose the fabric once shopping online or contacting in advance with nuno-hh.

DIMENSIONS



Note: Depending on the kind of finish (Fabric or Leather) and its design, it is expected wrinkles to appear as a typical behavior when manufacturing. Dimensions are approximate.

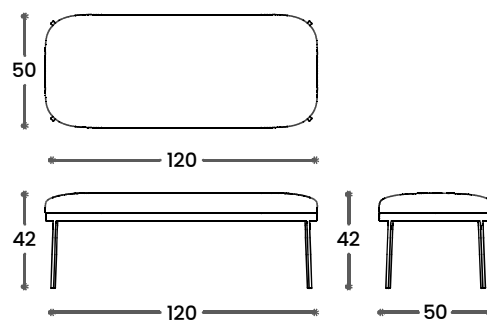


TECHNICAL DATA

- . Wooden inner **Frame**.
- . Elastic webbing.
- . **Seat** in polyurethane foam applied in layers with different thickness and hardness.
- . Solid Metal **Legs** 15mm thickness available in:
 - Painted RAL 9005 Black Matt
 - Stainless Steel
- . **Upholstery** - not removable fabric or leather, you can choose the fabric once shopping online or contacting in advance with nuno-hh.

Note: Depending on the kind of finish (Fabric or Leather) and its design, it is expected wrinkles to appear as a typical behavior when manufacturing. Dimensions are approximate.

DIMENSIONS

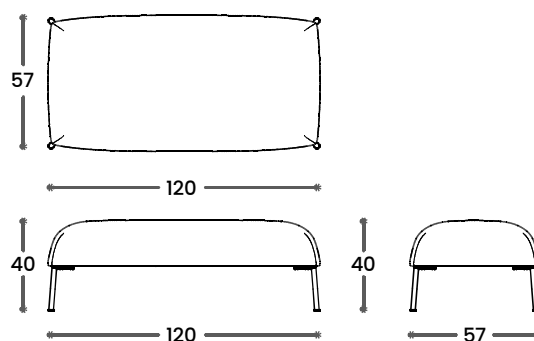




TECHNICAL DATA

- . Wooden inner **Frame**.
- . Elastic webbing.
- . **Seat** in polyurethane foam applied in layers with different thickness and hardness.
- . Solid Metal **Legs** 20mm thickness available in:
 - Painted RAL 9005 Black Matt
 - Stainless Steel
- . **Upholstery** - not removable fabric or leather, you can choose the fabric once shopping online or contacting in advance with nuno-hh.

DIMENSIONS



Note: Depending on the kind of finish (Fabric or Leather) and its design, it is expected wrinkles to appear as a typical behavior when manufacturing. Dimensions are approximate.

POUFS

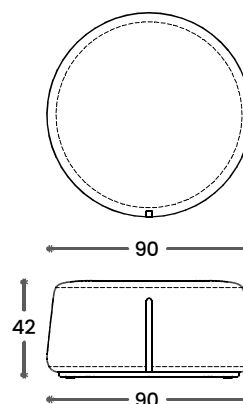


TECHNICAL DATA

- . Wooden inner **Frame**.
- . **Seat** in polyurethane foam applied in layers with different thickness and hardness.
- . Solid Wood **Seat base** available in:
 - Oak Natural Matt Finish
 - Walnut Natural Matt Finish
 - Ash Pigmented Black Matt Finish
 - Lacquered matt black Finish
- . **Upholstery** - not removable fabric or leather, you can choose the fabric once shopping online or contacting in advance with nuno-hh.

Note: Depending on the kind of finish (Fabric or Leather) and its design, it is expected wrinkles to appear as a typical behavior when manufacturing. Dimensions are approximate.

DIMENSIONS



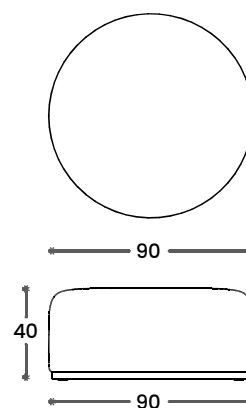


TECHNICAL DATA

- . Wooden inner **Frame**.
- . **Seat** in polyurethane foam applied in layers with different thickness and hardness.
- . Solid Metal **Seat base** available in:
 - Painted RAL 9005 Black Matt
 - Stainless Steel
- . **Upholstery** - not removable fabric or leather, you can choose the fabric once shopping online or contacting in advance with nuno-hh.

Note: Depending on the kind of finish (Fabric or Leather) and its design, it is expected wrinkles to appear as a typical behavior when manufacturing. Dimensions are approximate.

DIMENSIONS



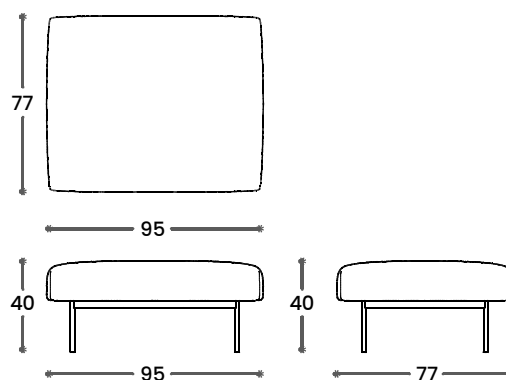


TECHNICAL DATA

- . Wooden inner **Frame**.
- . Elastic webbing.
- . **Seat** in polyurethane foam applied in layers with different thickness and hardness.
- . Solid Metal **Legs** 20mm thickness available in:
 - Painted RAL 9005 Black Matt
 - Stainless Steel
- . **Upholstery** - not removable fabric or leather, you can choose the fabric once shopping online or contacting in advance with nuno-hh.

Note: Depending on the kind of finish (Fabric or Leather) and its design, it is expected wrinkles to appear as a typical behavior when manufacturing. Dimensions are approximate.

DIMENSIONS

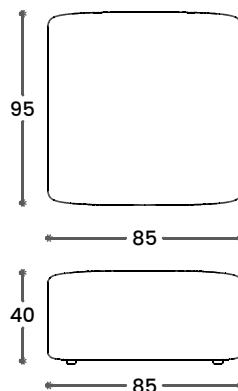




TECHNICAL DATA

- . Wooden inner **Frame**.
- . Elastic webbing.
- . **Seat** in polyurethane foam applied in layers with different thickness and hardness.
- . Solid wooden **Legs** 40mm thickness available in:
 - Oak Natural Matt Finish
 - Walnut Natural Matt Finish
 - Ash Pigmented Black Matt Finish
 - Lacquered matt black Finish
- . **Upholstery** - not removable fabric or leather, you can choose the fabric once shopping online or contacting in advance with nuno-hh.

DIMENSIONS



Note: Depending on the kind of finish (Fabric or Leather) and its design, it is expected wrinkles to appear as a typical behavior when manufacturing. Dimensions are approximate.

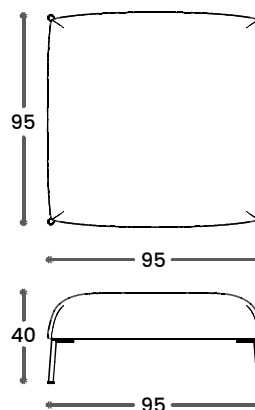


TECHNICAL DATA

- . Wooden inner **Frame**.
- . Elastic webbing.
- . **Seat** in polyurethane foam applied in layers with different thickness and hardness.
- . Solid Metal **Legs** 20mm thickness available in:
 - Painted RAL 9005 Black Matt
 - Stainless Steel
- . **Upholstery** - not removable fabric or leather, you can choose the fabric once shopping online or contacting in advance with nuno-hh.

Note: Depending on the kind of finish (Fabric or Leather) and its design, it is expected wrinkles to appear as a typical behavior when manufacturing. Dimensions are approximate.

DIMENSIONS



PANELS

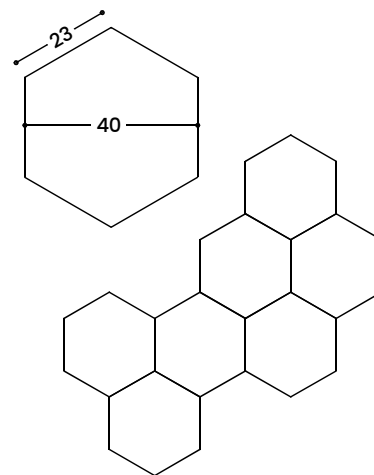


TECHNICAL DATA

- . Wood internal **Framework** overlayed with polyurethane foam and covered with polyester fleece.
- . **Upholstery** - not removable fabric or leather, you can choose the fabric once shopping online or contacting in advance with nuno-hh.

Note: Depending on the kind of finish (Fabric or Leather) and its design, it is expected wrinkles to appear as a typical behavior when manufacturing. Dimensions are approximate.

DIMENSIONS



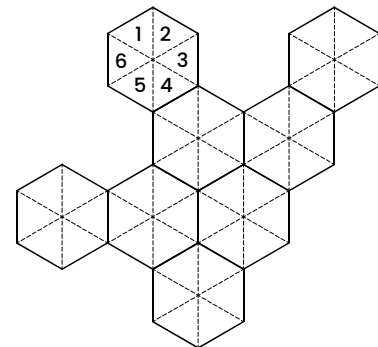
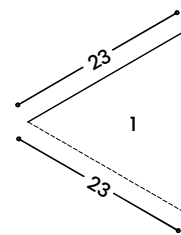


TECHNICAL DATA

- . Wood internal **Framework** overlayed with polyurethane foam and covered with polyester fleece.
- . **Upholstery** - not removable fabric or leather, you can choose the fabric once shopping online or contacting in advance with nuno-hh.

Note: Depending on the kind of finish (Fabric or Leather) and its design, it is expected wrinkles to appear as a typical behavior when manufacturing. Dimensions are approximate.

DIMENSIONS



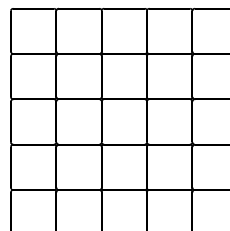
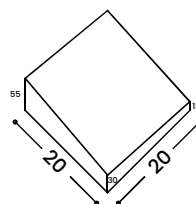


TECHNICAL DATA

- . Wood internal **Framework** overlayed with polyurethane foam and covered with polyester fleece.
- . **Upholstery** - not removable fabric or leather, you can choose the fabric once shopping online or contacting in advance with nuno-hh.

Note: Depending on the kind of finish (Fabric or Leather) and its design, it is expected wrinkles to appear as a typical behavior when manufacturing. Dimensions are approximate.

DIMENSIONS



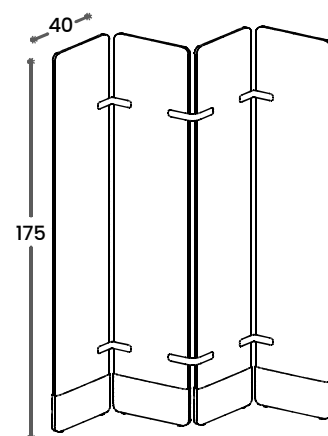
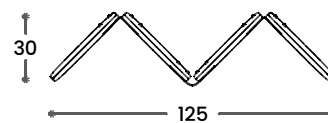


TECHNICAL DATA

- . Wood internal **Framework** overlayed with polyurethane foam and covered with polyester fleece.
- . Solid Metal **Hardware** 40mm thickness available in:
 - Painted RAL 9005 Black Matt
- . **Upholstery** - not removable fabric or leather, you can choose the fabric once shopping online or contacting in advance with nuno-hh.

Note: Depending on the kind of finish (Fabric or Leather) and its design, it is expected wrinkles to appear as a typical behavior when manufacturing. Dimensions are approximate.

DIMENSIONS



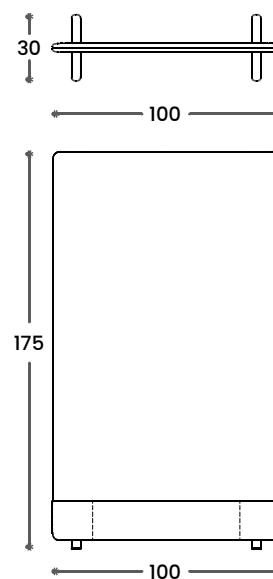


TECHNICAL DATA

- . Wood internal **Framework** overlayed with polyurethane foam and covered with polyester fleece.
- . Solid Metal **Legs** 40mm thickness available in:
 - Painted RAL 9005 Black Matt
 - Stainless Steel
- . **Upholstery** - not removable fabric or leather, you can choose the fabric once shopping online or contacting in advance with nuno-hh.

Note: Depending on the kind of finish (Fabric or Leather) and its design, it is expected wrinkles to appear as a typical behavior when manufacturing. Dimensions are approximate.

DIMENSIONS



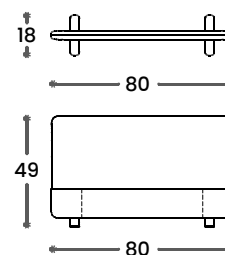


TECHNICAL DATA

- . Wood internal **Framework** overlayed with polyurethane foam and covered with polyester fleece.
- . Solid Metal **Legs** 40mm thickness available in:
 - Painted RAL 9005 Black Matt
 - Stainless Steel
- . **Upholstery** - not removable fabric or leather, you can choose the fabric once shopping online or contacting in advance with nuno-hh.

Note: Depending on the kind of finish (Fabric or Leather) and its design, it is expected wrinkles to appear as a typical behavior when manufacturing. Dimensions are approximate.

DIMENSIONS



location

AMSTERDAM
THE NETHERLANDS

email / website

info@nuno-hh.com
nuno-hh.com

phone

+31 6 82 79 0149



nuno®